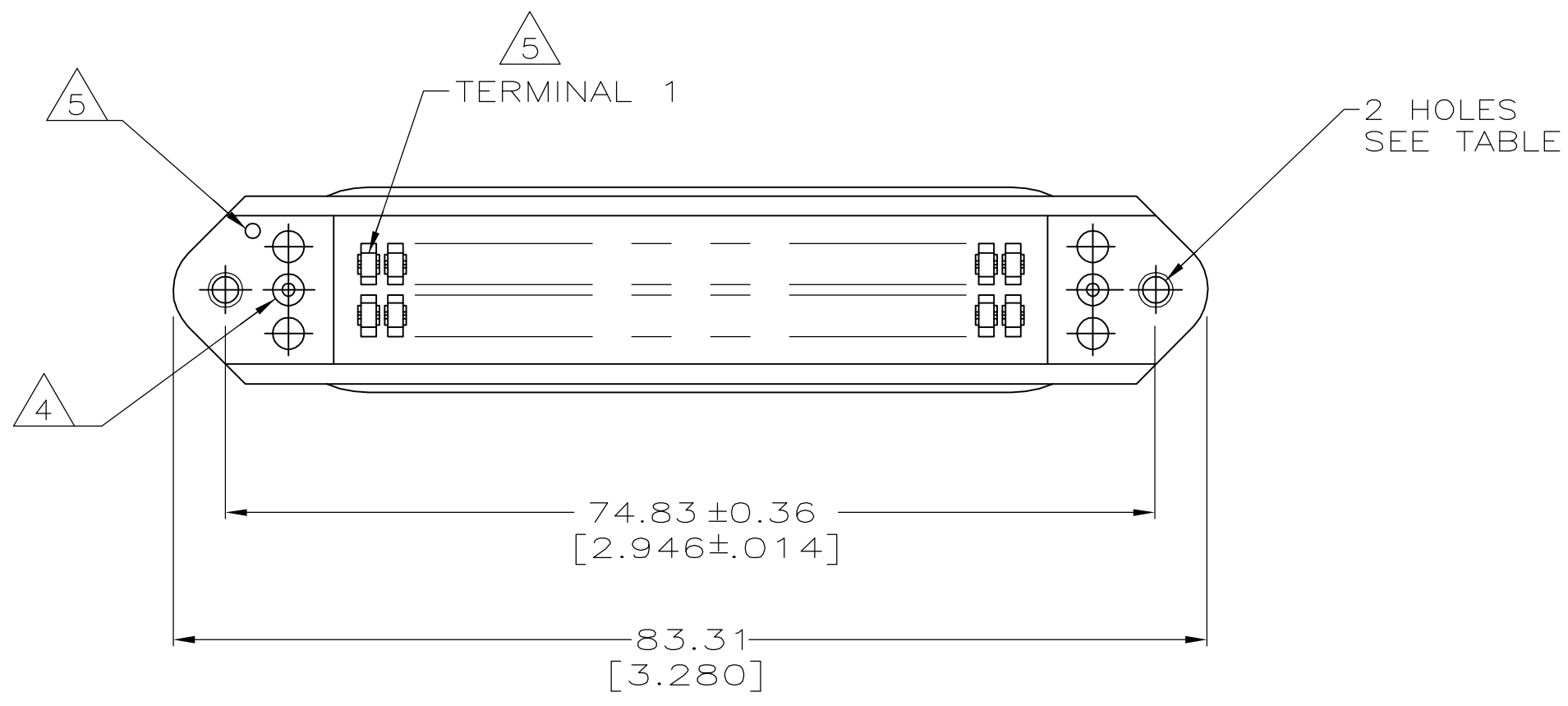
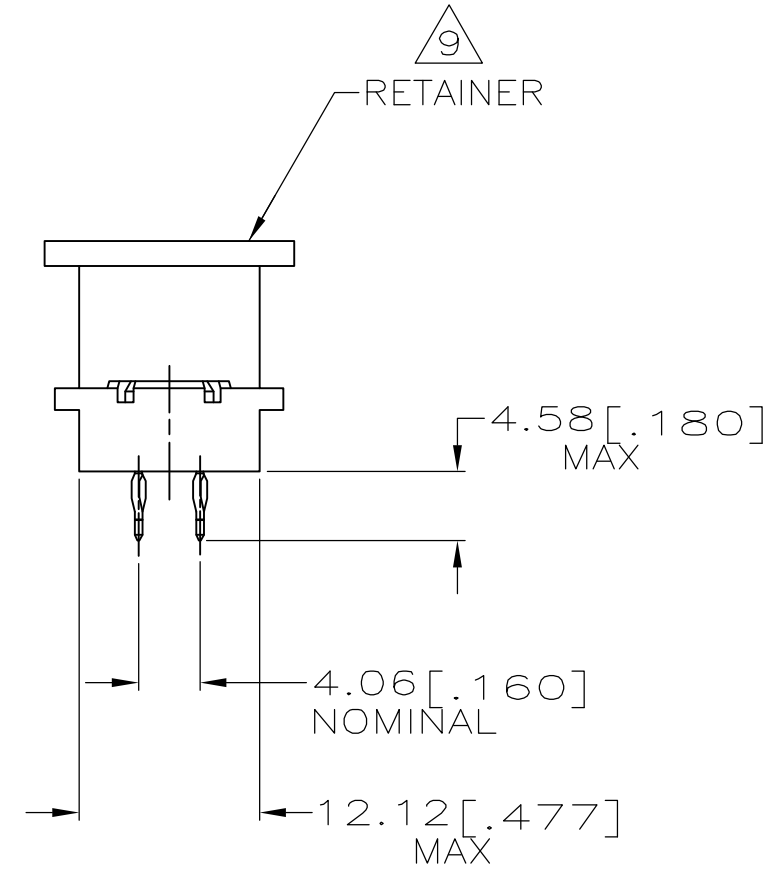
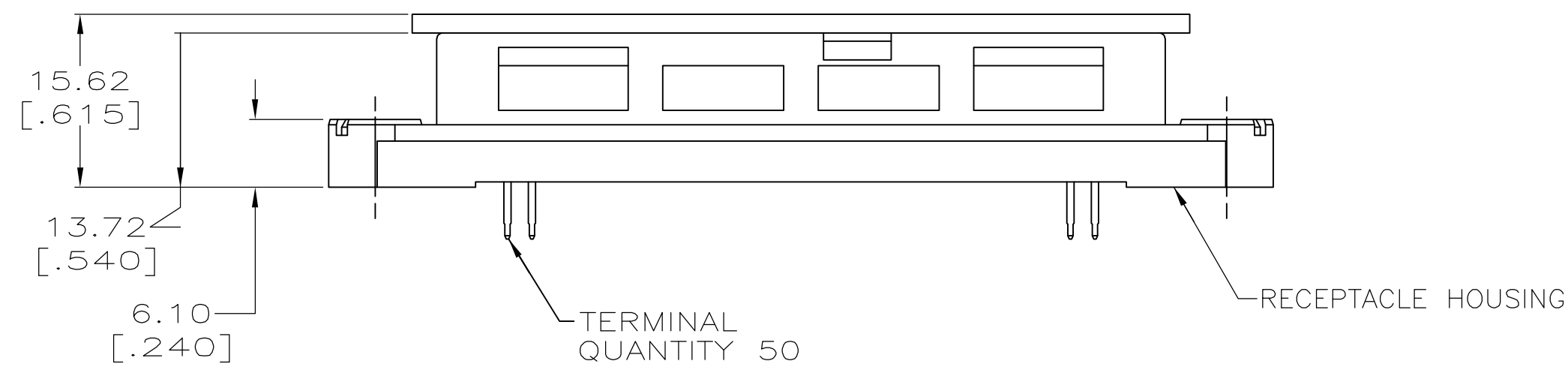
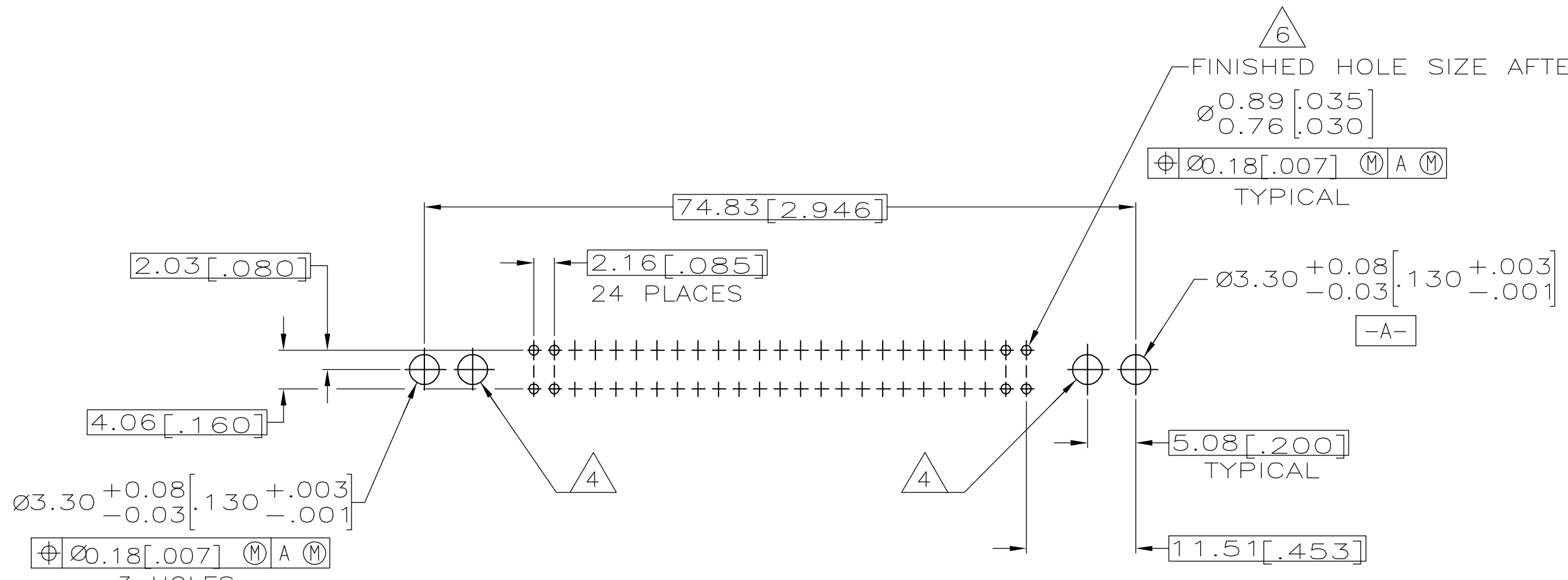


THIS DRAWING IS UNPUBLISHED. RELEASED FOR PUBLICATION
 © COPYRIGHT BY TYCO ELECTRONICS CORPORATION. ALL RIGHTS RESERVED.

LOC		DIST		REVISIONS				
AA		11		P	LTR	DATE	DWN	APVD
				F		REVISED PER ECN-0513-0617-04	27MAR07	JDP WM



- DIMENSIONS ARE MAXIMUM UNLESS OTHERWISE SPECIFIED.
- MATERIAL: HOUSING - POLYESTER MOLDING COMPOUND BLACK.
 TERMINAL - COPPER ALLOY PLATED WITH 0.76µm [.000030] MINIMUM THICK GOLD ON MATING SURFACE AND 0.13µm [.000005] MINIMUM THICK GOLD ON ACTION PIN AREA OVER 1.27µm [.000050] MINIMUM THICK NICKEL UNDERPLATE OVER ENTIRE TERMINAL.
 RETAINER - POLYETHYLENE, NATURAL.
- THE CONTACT SURFACES OF THE TERMINALS ARE COATED WITH LUBRICANT.
- OPTIONAL MOUNTING HOLE FOR SELF-TAPPING SCREW.
- THRU HOLE ON HOUSING FLANGE INDICATES POSITION 1 LOCATION.
- ALL PLATED-THRU HOLES SHALL BE PER AMP SPEC 115-6072.
- 222N[50 LBS] MINIMUM FORCE REQUIRED TO UNSEAT CONNECTOR FROM PRINTED CIRCUIT BOARD WITHOUT USE OF HARDWARE.
- CENTER-TO-CENTER SPACING OF TERMINALS IS .085 NOMINAL.
- RETAINER MUST REMAIN INSTALLED UNTIL AFTER CONNECTOR HAS BEEN INSERTED INTO PCB HOLES.
- OBSOLETE



PRINTED CIRCUIT BOARD MOUNTING DIMENSIONS

THIS DRAWING IS A CONTROLLED DOCUMENT.		DWN	YTP/JTA	09 NOV 93	Tyco Electronics Corporation Harrisburg, PA 17105-3608	
DIMENSIONS: mm [INCHES]		CHK	C. WHITT	02 DEC 93		
TOLERANCES UNLESS OTHERWISE SPECIFIED:		APVD	R. FLAHERTY	08 DEC 93	NAME	
0 PLC	± -	PRODUCT SPEC		RECEPTACLE ASSEMBLY, 50 POSITION, SELF-RETAINED, ACTION PIN, CHAMP-LOK		
1 PLC	± -	APPLICATION SPEC		-		
2 PLC	± -	-		-		
3 PLC	± -	-		-		
4 PLC	± -	-		-		
ANGLES	± -	-		-		
FINISH	± -	-		-		
MATERIAL		WEIGHT	-		SIZE	A2
-		CUSTOMER DRAWING		CAGE CODE	00779	DRAWING NO
-		-		C=554753		RESTRICTED TO
-		-		SCALE	2:1	SHEET
-		-		1 of 1		REV
-		-		F		

554753